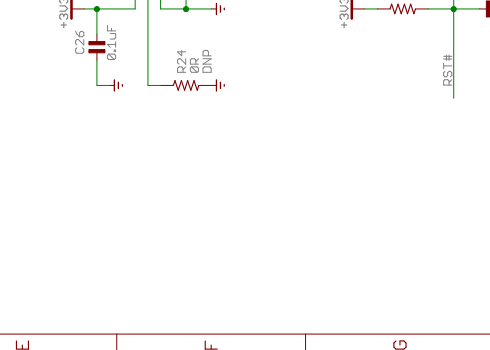
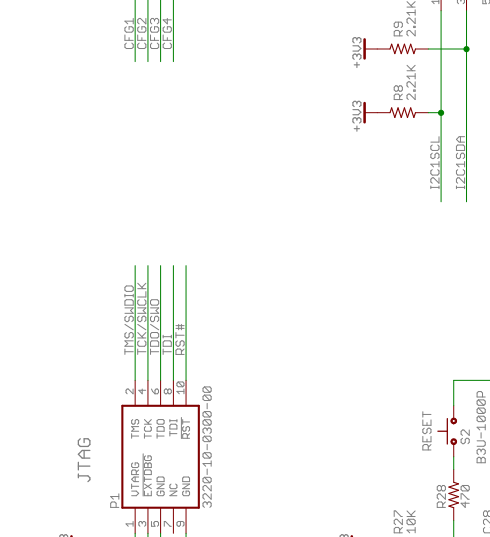
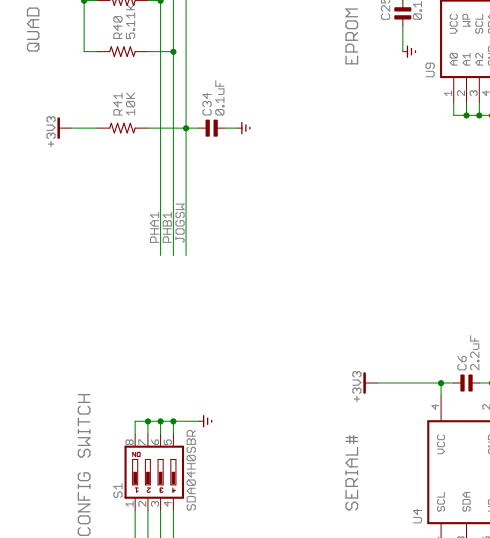
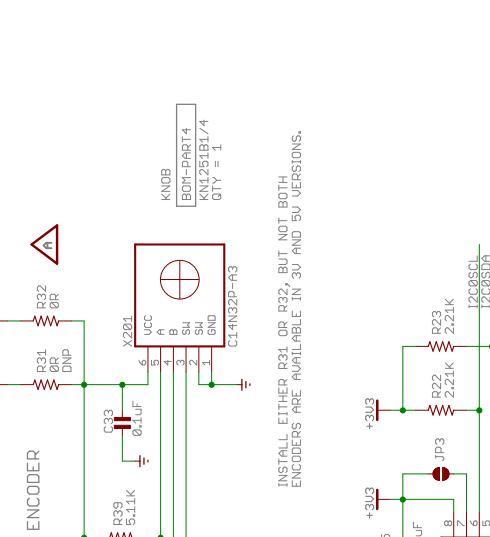
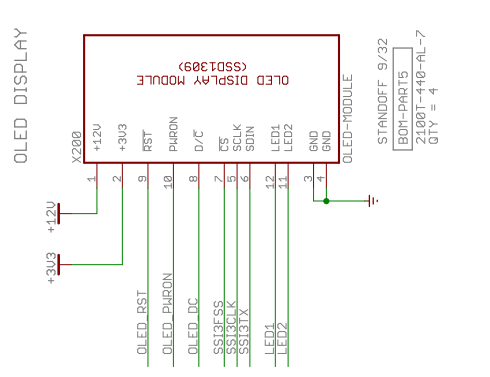


THE INFORMATION CONTAINED IN THIS DRAWING IS THE SOLE PROPERTY OF  
 BIZ PROFESSIONAL AUDIO. ANY REPRODUCTION IN PART OR WHOLE IS  
 STRICTLY PROHIBITED WITHOUT WRITTEN PERMISSION.

PROPRIETARY

|          |                            |
|----------|----------------------------|
| ISSUE    | © 2015                     |
| DRAWN    | REV A                      |
| CHECKED  | TITLE DRC-1200 REMOTE CTRL |
| R-STARR  | DATE 3/22/2016 9:45 PM     |
| DATE     | DRG NO ED-52101.100        |
| XX/XX/XX | FILE: DRC-1200-REV-A       |

|   |  |
|---|--|
|   |  |
| THIS DRAWING CONTAINS COPYRIGHTED MATERIAL AND SHOULD NOT BE USED WITHOUT WRITTEN PERMISSION. |  |

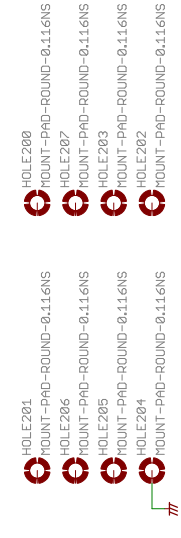
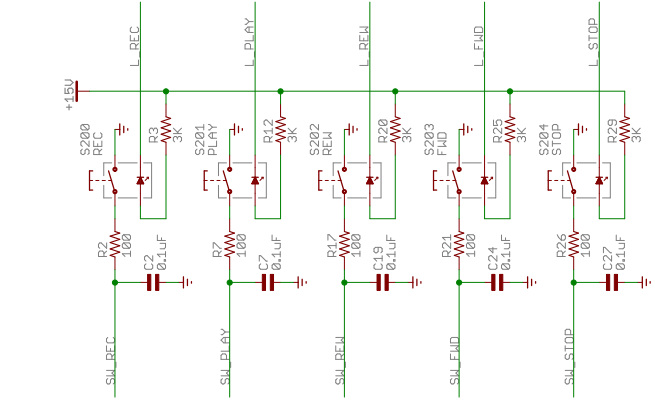
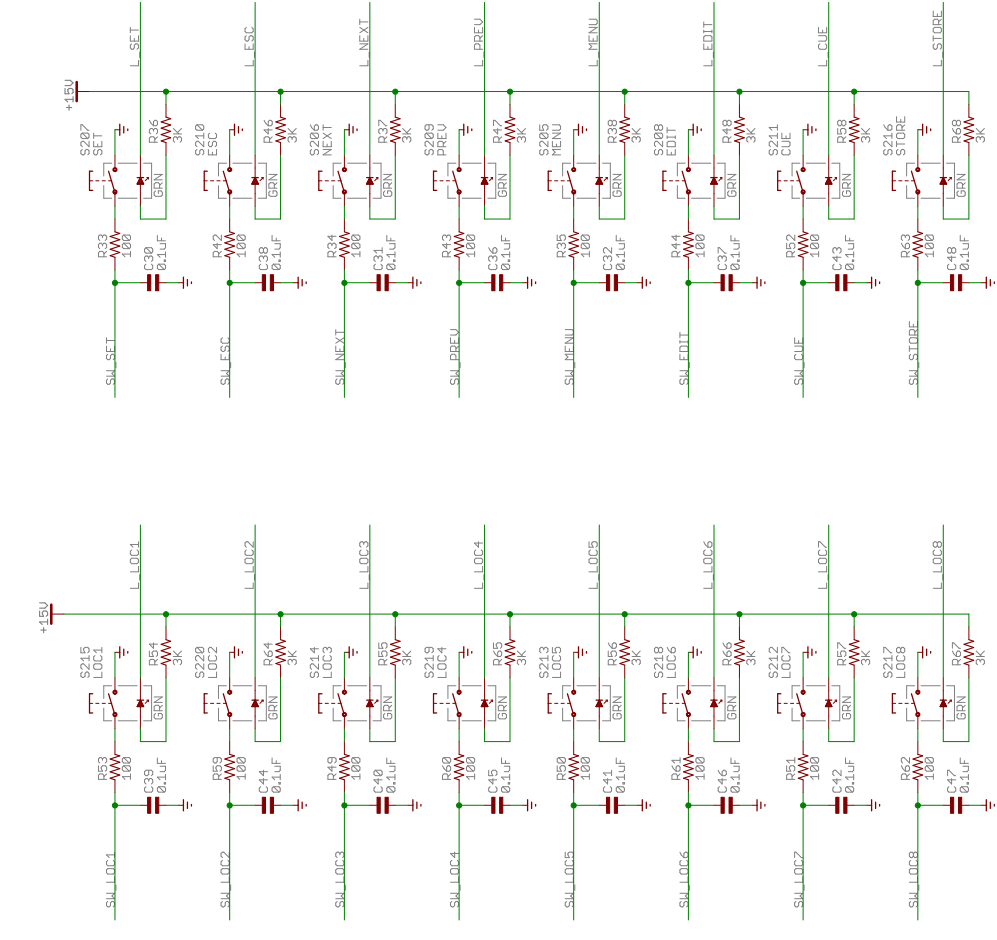
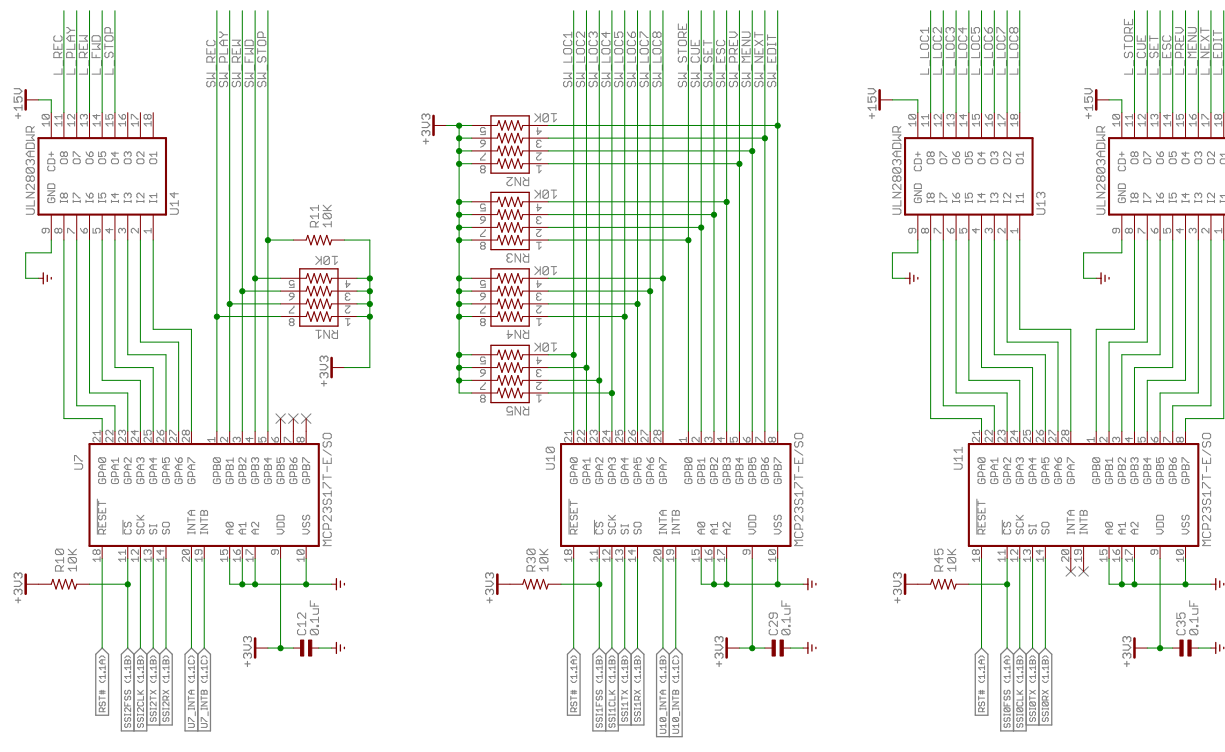


INSTALL EITHER R31 OR R32, BUT NOT BOTH ENCODERS ARE AVAILABLE IN 3U AND 5U VERSIONS.

ADDR: 0x10100000 (0xA0)  
 ADDR: 0x10110000 (0xB0) (SERIAL#)

THE INFORMATION CONTAINED IN THIS DRAWING IS THE SOLE PROPERTY OF  
 BIZ PROFESSIONAL AUDIO. ANY REPRODUCTION IN PART OR WHOLE IS  
 STRICTLY PROHIBITED WITHOUT WRITTEN PERMISSION.

PROPRIETARY



EACH BUTTON LED DRAWS 10mA  
 ALL 21 LEDs DRAW 210mA TOTAL

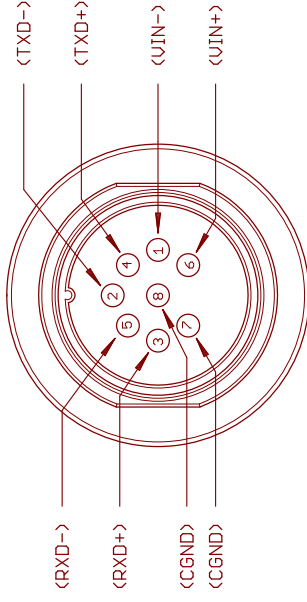
|   |  |  |                                      |                 |
|---|--|--|--------------------------------------|-----------------|
| BIZ Professional Audio, LLC<br>10000 W. 10th Street, Suite 100<br>Denver, CO 80202, USA<br>TEL: 303.751.1111 FAX: 303.751.1112<br>WWW.BIZPROFESIONALAUDIO.COM |  | ISSUE<br>DRAM<br>R-STARR<br>CHECKED<br>R-STARR<br>DATE<br>XX/XX/XX | TITLE<br><b>DRC-1200 REMOTE CTRL</b> | REV<br><b>A</b> |
| DATE<br>3/22/2016 9:45 PM   |  | DRG NO<br>ED-52101.100   |                                      | PAGE: 2/3       |
| FILE: DRC-1200-REV-A  |  |  |                                      |                 |

1 2 3 4 5 6 7 8 9 10

THE INFORMATION CONTAINED IN THIS DRAWING IS THE SOLE PROPERTY OF RTZ PROFESSIONAL AUDIO. ANY REPRODUCTION IN PART OR WHOLE IS STRICTLY PROHIBITED WITHOUT WRITTEN PERMISSION.

**PROPRIETARY**

MALE PANEL MOUNT CONNECTOR  
(PART NUMBER T-3506-009)



J1 PCB CONNECTOR WIRING  
(PART NUMBER 70553-0112)

| J2 WIRING |   |
|-----------|---|
| VIN+      | 8 |
| VIN-      | 7 |
| CGND      | 6 |
| CGND      | 5 |
| TXD+(Y)   | 4 |
| TXD-(Z)   | 3 |
| RXD-(B)   | 2 |
| RXD+(A)   | 1 |

PIN NUMBERS SHOWN ABOVE ARE REAR VIEW  
ORDER OF FEMALE MATING CONNECTOR  
(PART NUMBER T-3505-001)

CIRCULAR CONN

BOM-PART6  
T 3505 001

HANDLE

BOM-PART9  
7143

CIRCULAR CONN

BOM-PART7  
T 3506 009

RUBBER FEET

BOM-PART8  
724  
QTY = 4

|         |  |   |                      |
|---------|--|---|----------------------|
| ISSUE   | Professional Audio, LLC<br>ALPHARETTA, GA<br>USA | THIS DRAWING CONTAINS COPYRIGHT MATERIAL AND SHOULD NOT BE USED WITHOUT WRITTEN PERMISSION. | © 2015               |
| DRAWN   | R-STARR  | TITLE   | DRC-1200 REMOTE CTRL |
| CHECKED | R-STARR  | DATE  | 3/22/2016 9:45 PM    |
| DATE    | XX/XX/XX   | DRG No  | ED-52101.100         |
|         |  | FILE:   | DRC-1200-REV-A       |
|         |  | REV   | A                    |
|         |  | PAGE:   | 3/3                  |