



# RECALL SHEET

## PEQ-1549 PARAMETRIC EQUALIZER

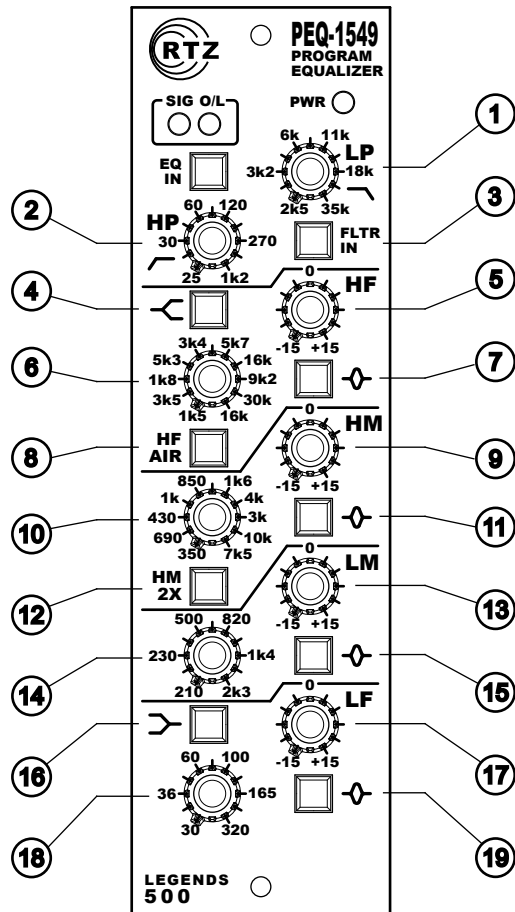
TITLE \_\_\_\_\_ DATE \_\_\_\_\_

ENGINEER \_\_\_\_\_ PRODUCER \_\_\_\_\_ TIME \_\_\_\_\_

STUDIO \_\_\_\_\_ ARTIST \_\_\_\_\_

PROJECT \_\_\_\_\_

ALL POTENTIOMETERS ARE DETENTED 1 - 11



- |  |              |
|--|--------------|
| 1) _____   | LP FILTER    |
| 2) _____   | HP FILTER    |
| 3) <input type="checkbox"/> IN <input type="checkbox"/> OUT  | FILTERS IN   |
| 4) <input type="checkbox"/> IN <input type="checkbox"/> OUT  | HF SHELF     |
| 5) _____   | HF CUT/BOOST |
| 6) _____   | HF FREQ      |
| 7) <input type="checkbox"/> IN <input type="checkbox"/> OUT  | HF HI-Q      |
| 8) <input type="checkbox"/> IN <input type="checkbox"/> OUT  | HF AIR       |
| 9) _____   | HM CUT/BOOST |
| 10) _____  | HM FREQ      |
| 11) <input type="checkbox"/> IN <input type="checkbox"/> OUT | HM HI-Q      |
| 12) <input type="checkbox"/> IN <input type="checkbox"/> OUT | HM X 2       |
| 13) _____  | LM CUT/BOOST |
| 14) _____  | LM FREQ      |
| 15) <input type="checkbox"/> IN <input type="checkbox"/> OUT | LM HI-Q      |
| 16) <input type="checkbox"/> IN <input type="checkbox"/> OUT | LF SHELF     |
| 17) _____  | LF CUT/BOOST |
| 18) _____  | LF FREQ      |
| 19) <input type="checkbox"/> IN <input type="checkbox"/> OUT | LF HI-Q      |